

TECHNICAL DATA

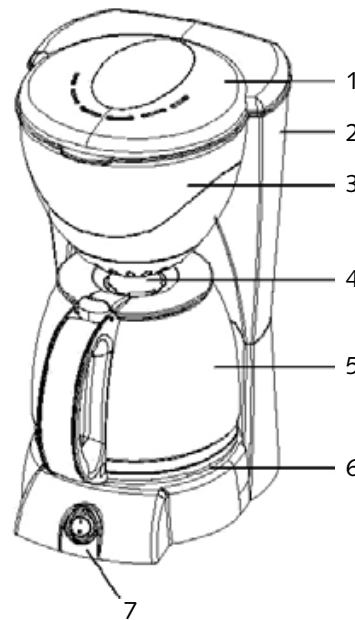
Art.no.	99 940 43	99 940 44
Model	CM6616	CM6616V
Power	1000W	1000W
Voltage	220-240V~	220-240V~
Frequency	50Hz	50Hz
Volume	1.5 litres	1.25 litres
No. of cups	12	10
Type of jug	Glass	Vacuum



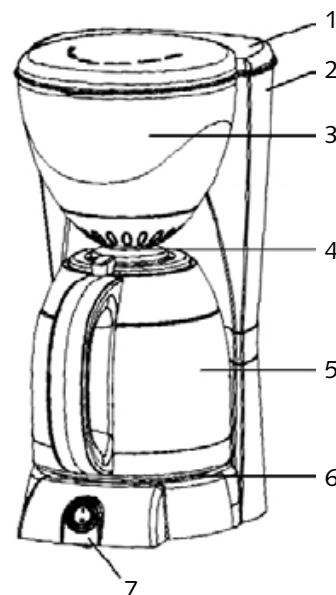
DESCRIPTION OF PARTS

Art.no: 99 940 43

1. Top lid
2. Water tank
3. Filter holder
4. Anti-drip valve
5. Glass jug
6. Warm plate
7. On/Off switch with indicator lamp

**Art.no: 99 940 44**

1. Top lid
2. Water tank
3. Filter holder
4. Anti-drip valve
5. Vacuum jug
6. Jug stand
7. On/Off switch with indicator lamp



IMPORTANT SAFEGUARDS

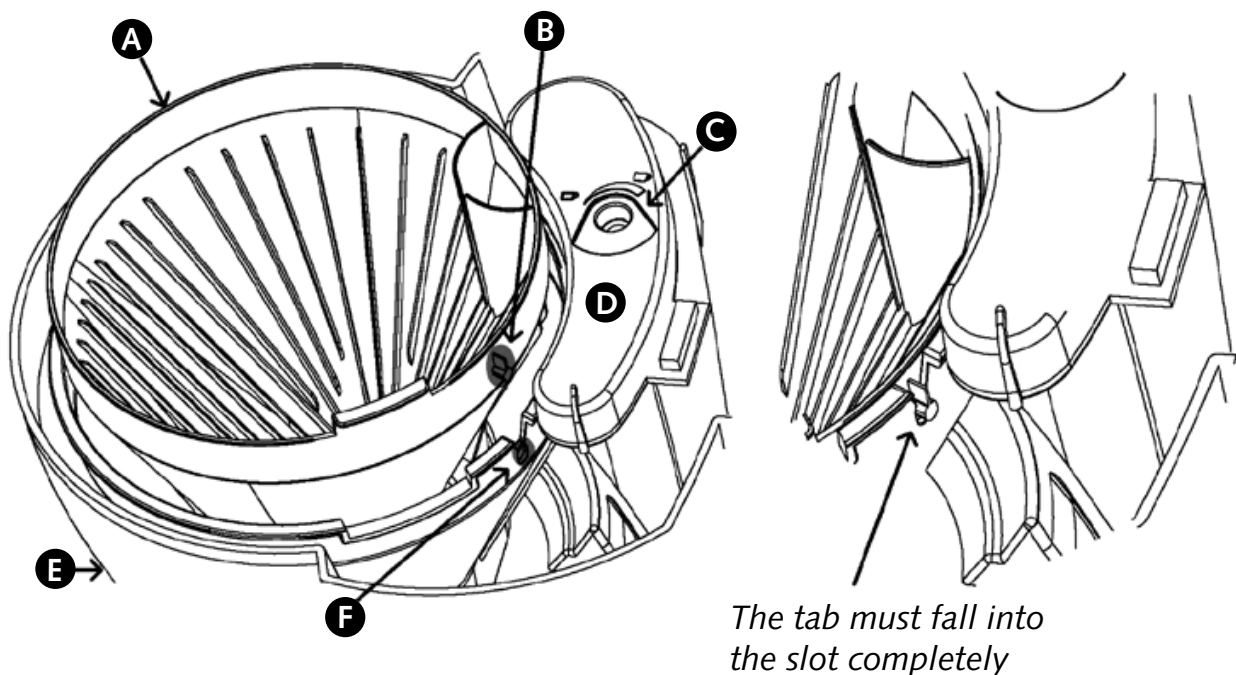
1. Please read these instructions carefully before using the appliance.
2. To protect against electrical hazards, do not immerse the cord, plug, or appliance itself in water or other liquids.
3. Make sure your mains voltage corresponds to that specified on the appliance before plugging in.
4. Never leave the appliance unsupervised when in use.
5. Only use the appliance for household purposes and in the way indicated in these instructions.
6. Never use the appliance near hot surfaces.
7. Make sure the cord never comes into contact with the hot parts of the appliance.
8. The appliance is not intended for use by persons (including children) with reduced physical, sensory or mental capabilities, or lack of experience and knowledge, unless they have been given supervision or instruction concerning use of the appliance by a person responsible for their safety.
9. Children should be supervised to ensure that they do not play with the appliance.
10. Unplug unit from outlet when not in use and before cleaning.
11. Do not operate any appliance with a damaged cord or plug, or after the appliance malfunctions, or has been damaged in any manner, return appliance to the nearest authorized service agent for examination, repair or adjustment.
12. Do not use coffee maker with a damaged electric plug.
13. Never use the appliance outdoors and always place it in a dry environment.
14. Never move the appliance by pulling the cord. Make sure the cord cannot get caught in any way. Do not wind the cord around the appliance and do not bend it.
15. Place the appliance on a stable, flat surface.
16. Only use fresh and cold water.
17. Never touch the hot parts of the appliance (be careful, also the warm plate or jug stand is hot!), only touch the plastic parts and carry the jug by the handle.
18. Be careful not to get burned by the steam evaporating from the coffee filter.
19. Never use accessories which are not recommended by the producer. They could constitute a danger to the user and risk to damage the appliance.
20. Never use the appliance if the jug shows any signs of cracks.
21. Handle with care as the glass is very fragile if the appliance equipped with a glass jug. Never place the empty (or almost empty) glass jug on the hotplate when the coffee maker is in function, or on any other hot surfaces.
22. Do not forget that the temperature of the coffee prepared is high. Handle your jug with care to avoid any risk of splashes.
23. Never put the jug in an oven (includes microwave oven) to warm up the coffee. Never use a dishwasher to clean the jug.
24. Never use your coffee maker without water in it.

25. Always turn any control to "off" before unplugging from the outlet.
26. Keep the machine above 0°C otherwise any water in the machine will freeze and cause damage.
27. Never use when water overflow.
28. Make sure the appliance has cooled down before cleaning or storing.
29. Save these instructions for future use.

OPERATION

1. Uncover the top lid and fill in fresh cold water to required level.
2. Put adequate quantity of coffee powder or tea leaves into the permanent filter (if applicable) or filter paper inside the filter cone.

Note: Make sure the filter cone has been assembled correctly to the filter holder, as described below, before operation.





- | | |
|---------------------------|------------------------------|
| A. Filter cone | D. Shower head |
| B. Tab on the filter cone | E. Filter holder |
| C. Aroma regulator | F. Hole on the filter holder |

3. Turn the shower head to point the centre of the filter cone.
4. Close the top lid.
5. Place the jug on the jug stand/warm plate.

6. Switch on the appliance by pressing the On/Off switch, the indicator lamp will light up and now the appliance starts to work.

Note: Use the aroma regulator to obtain the coffee mild or strong.

- To obtain mild coffee, turn the aroma regulator to position .
 - To obtain strong coffee, turn the aroma regulator to position .
7. The appliance will brew until the water tank is emptied. The coffee maker with glass jug (99 940 43) will then automatically enter into keep-warm mode. The coffee maker with vacuum jug will automatically shut off.
The coffee will stay warm at:
 - Above 75°C in half an hour.
 - Above 70°C in an hour.

CLEANING

1. Do not forget to remove the plug from the socket before cleaning the appliance.
2. Wipe the outside with a soft and dry cloth when the appliance has cooled down completely, never use metal polish.
3. Clean the jug, permanent filter (if applicable) and other detachable parts in warm soapy water, rinse and dry them before reassembling.
Note: never use a dishwasher to clean the jug.
4. Clean the appliance approximately every 3 months so as to keep high efficiency.
5. Store the appliance in a dry and not very hot place.

DESCALING

The appliance has to be descaled regularly to ensure optimum performance.

The frequency depends on the water hardness and the brewing frequency.

If you begin to notice the increase of the noise during boiling, or a longer time of brewing time, this indicates that descaling is necessary.

Generally, the descaling should be done in the following periodicity:

- With soft water, at least once every 3 months.
 - With middle hard water, at least once every 1 months.
 - With hard water, at least once every 2 weeks.
1. It is recommended to use only liquid descaling agent, and read carefully the instructions on its package or user manual before use.
 2. Operate the appliance for 2 or 3 cycles with the descaling agent as if you prepared coffee, but without paper filter or ground coffee in the filter holder. The descaling agent must be cool before being poured in the water tank.
 3. After the descaling, repeat the procedure twice, but only using clean water to rinse the inner side of the coffee maker.

Note: Never use vinegar as descaling agent. In case of doubt concerning the water hardness, ask your local tap water company.